

# STEAMIST®

## Steambath Control

Model: TSC-250 and TSC-250R

### Product Information – TSC-250 and TSC-250R

- 2 years parts warranty
- Programmable Time and Temperature.
- Temperature range 60°F min to 125°F max.
- Time up to 60 minutes.
- Does NOT operate AromaSense, AudioSense, ChromaSense and ShowerSense options.
- Digital display of ambient, set temperature, and elapsed time.
- 2 User profiles
- Selectable InstaMist (when used with TSG generators)

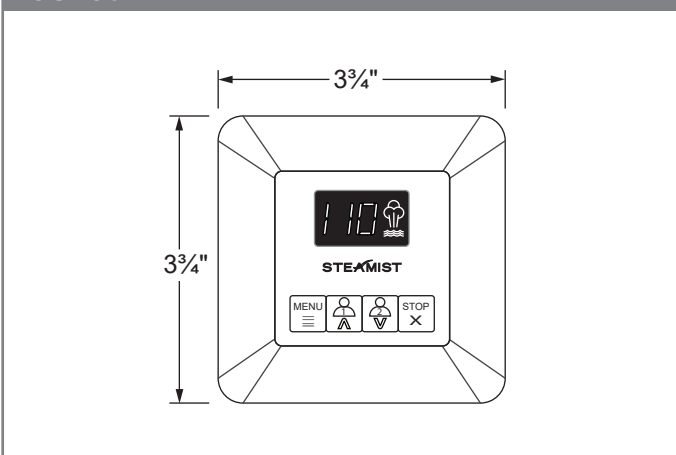
**Dimensions:** TSC-250 = 3¾" x 3¾", TSC-250R = 4" round

**Package Includes:** Control, 6-Pin Coupler, Steamhead, Silicone Sealant, Installation and Operating Instructions.

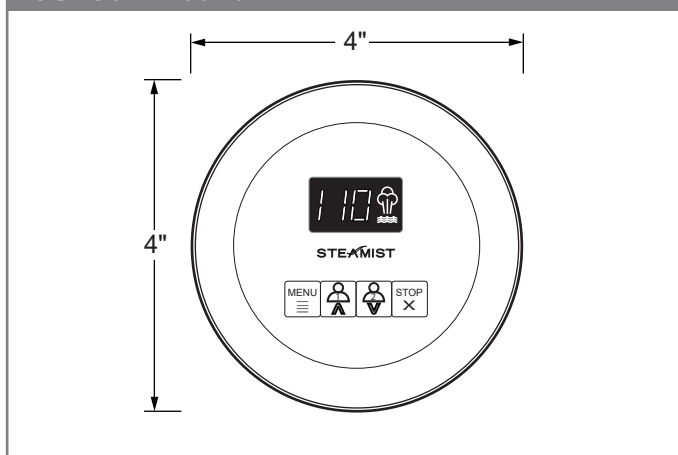
### Required Electrical Service:

Low-voltage connection from TSG or SMP steam generator via multi-conductor cable (supplied with steam generator).

TSC-250



TSC-250R - Round



## Notes

### Installation Notes:

Surface Mount - 1½" hole required.

Mounts inside the steam room.

Steamist recommends that the multi-conductor cable be run through ¾" conduit to protect cable from damage and to facilitate easy replacement.

Mount control near seating area and not above steamhead.

### Rough-in Notes:

Control should be mounted 48" above the floor.

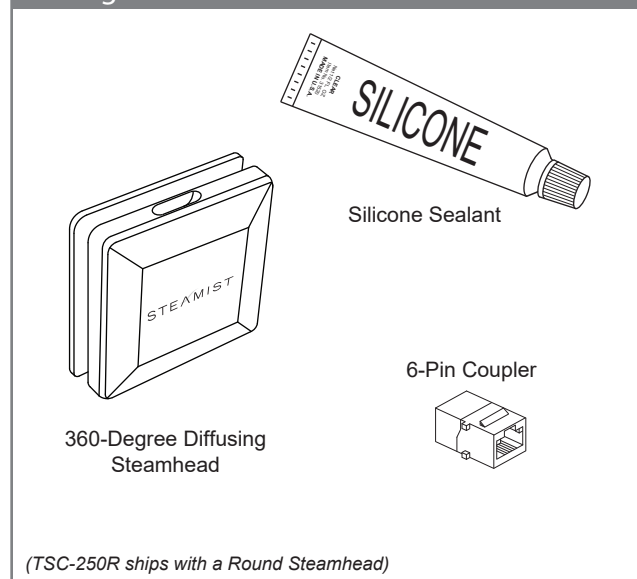
Steamhead to be mounted 12" to 18" above the finished floor or 6" above the rim of the tub and as far from the seating area as possible.

### Product No. - Finishes:

PC - Polished Chrome  
 PN - Polished Nickel  
 BN - Brushed Nickel

PB - Polished Brass  
 ORB - Oil-Rubbed Bronze

## Package Contents



(TSC-250R ships with a Round Steamhead)